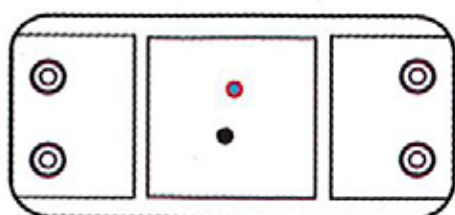


# Garage Door Opener

Model:TYLK-H1



## Parameters:

Input voltage:DC 5V  
Wi-Fi Standard:Wi-Fi 2.4ghz b/g/n  
Working temperature:-20°C~70°C  
Working humidity:≤80%  
Material:ABS  
Size: 88\*38\*22mm

### Checklist before using the device

- Your smart phone or tablet has connected to a 2.4g WiFi with internet.
- You have the correct WiFi PWD.
- Your smart phone or tablet must have access to APP store,Google play.
- Your router is MAC-open.

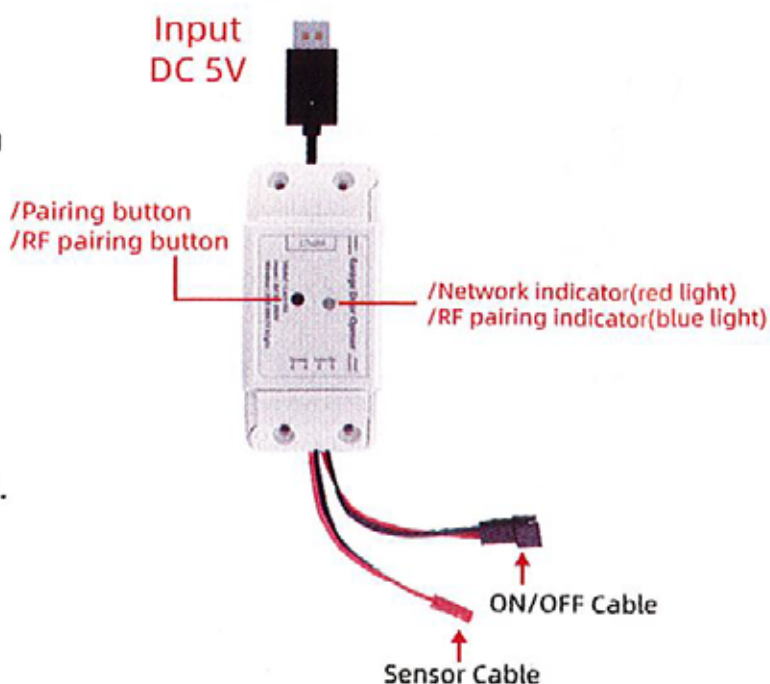
## User Guide

- 1 You can download the App by searching "Tuya Smart" in mobile app stores or scanning the following QR code

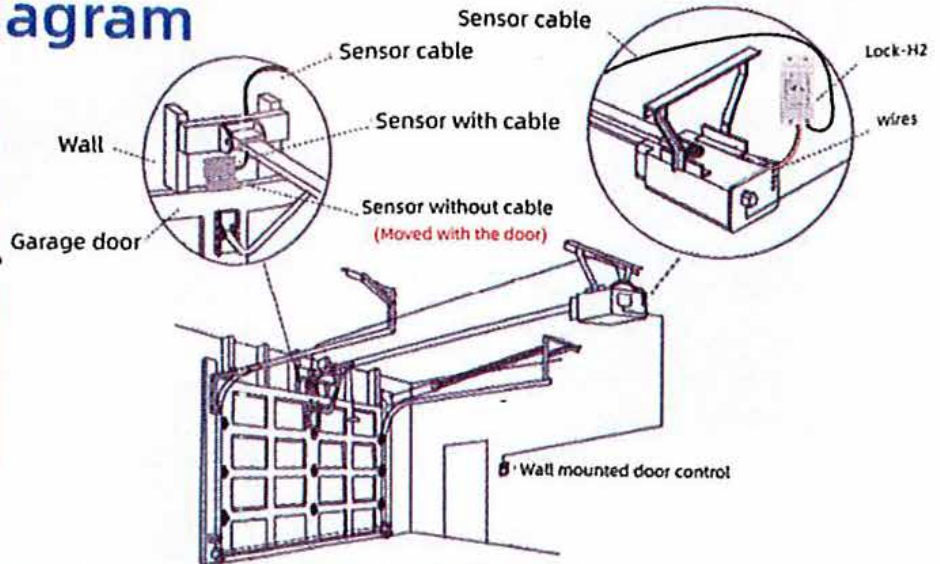
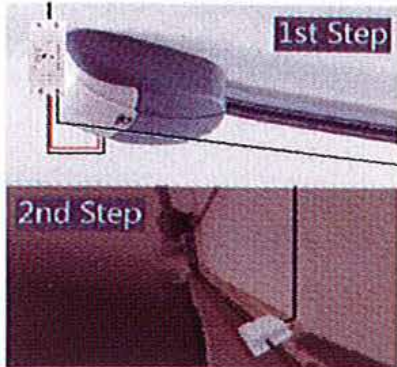


- 2 Register an Tuya Smart account.
- 3 If you have Tuya Smart account. just login.
- 4 Power on.

ON/OFF operating principle:  
The connected appliances work/stop through live wire power on/off.

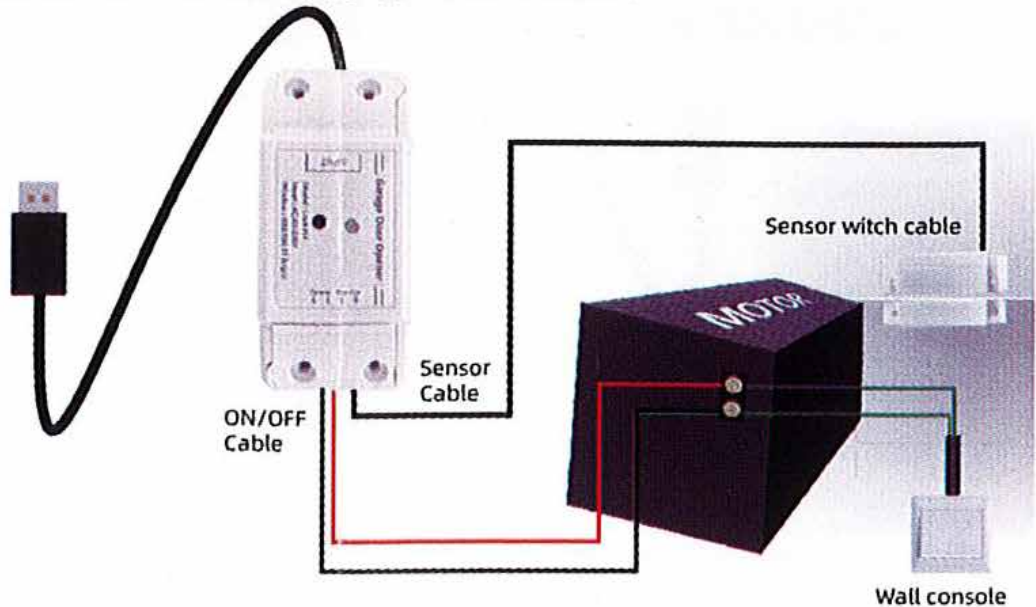


# Installation diagram

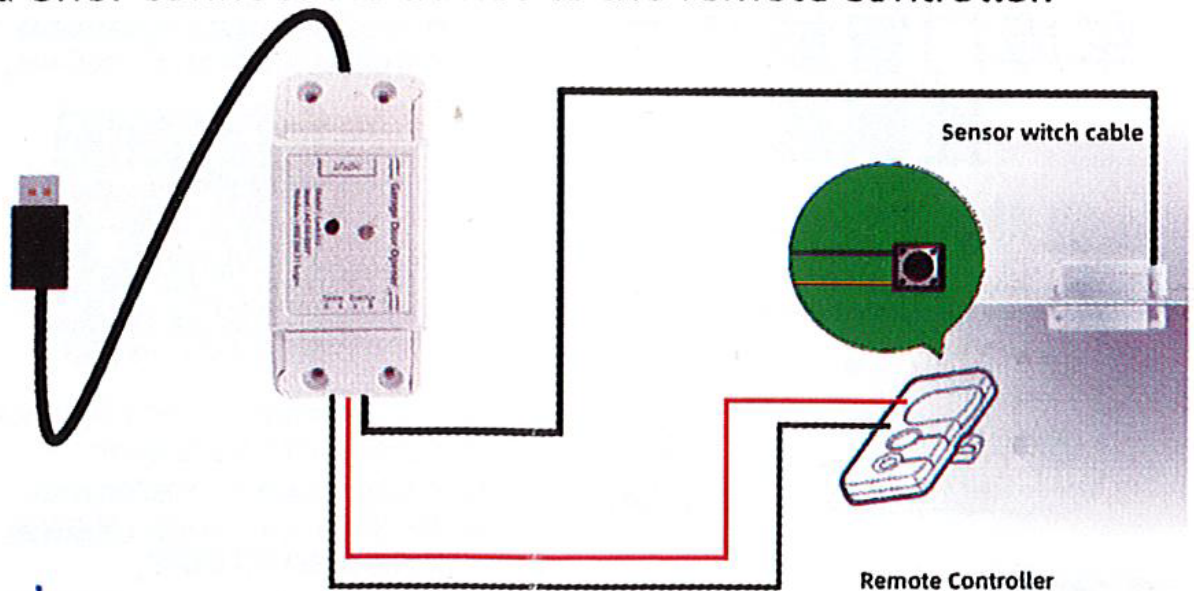


There are 2 ways to work with your garage door opener:

The 1st one: Connect the device to the motor.



The 2nd one: Connect the device to the remote controller.



## Add devices

- ① Reset the device first:  
if the network indicator blinking fast (0.5S/time) , skip the reset step.
  - ① Power on
  - ② hold down the Match button for 5 seconds. until network indicator(red light) blinking fast(0.5s/time).

- ② Clicking **+** in the top right corner on tuya smart app.then select "Garage door opener"



- ③ Select a 2.4GHz Wi-Fi network and enter your password.

- ④ Name your device.



## Remote control matches the code

### Matching:

- ① hold RF pairing button for 3 seconds until RF pairing indicator(blue light)is on.
- ② then press the remote control buttons for 2 seconds.
- ③ loosen the remote control buttons, matching success.



### Clear code:

Long press the RF pairing button for 15 seconds (RF pairing indicator is always on), loosen the RF pairing button until RF pairing indicator is off.

\* note: the matching/clear code method is only available with RF function switch/module reference.