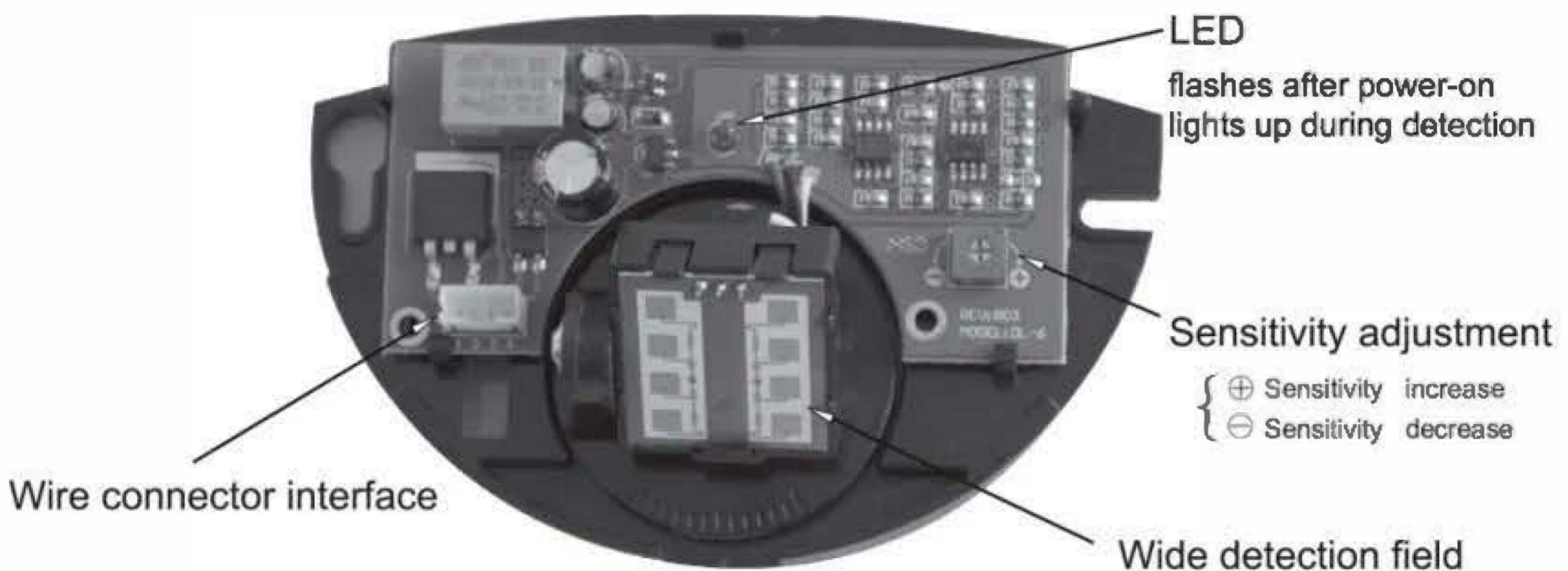


DL6 MICROWAVE SENSOR USER GUIDELINE

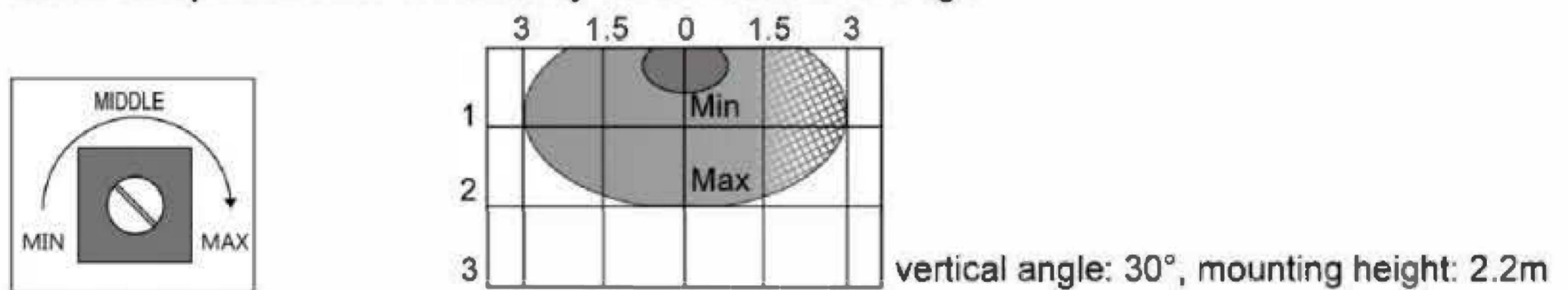
1. General Information

Brown Green	Power input
White	Relay COM
Yellow	Relay NO

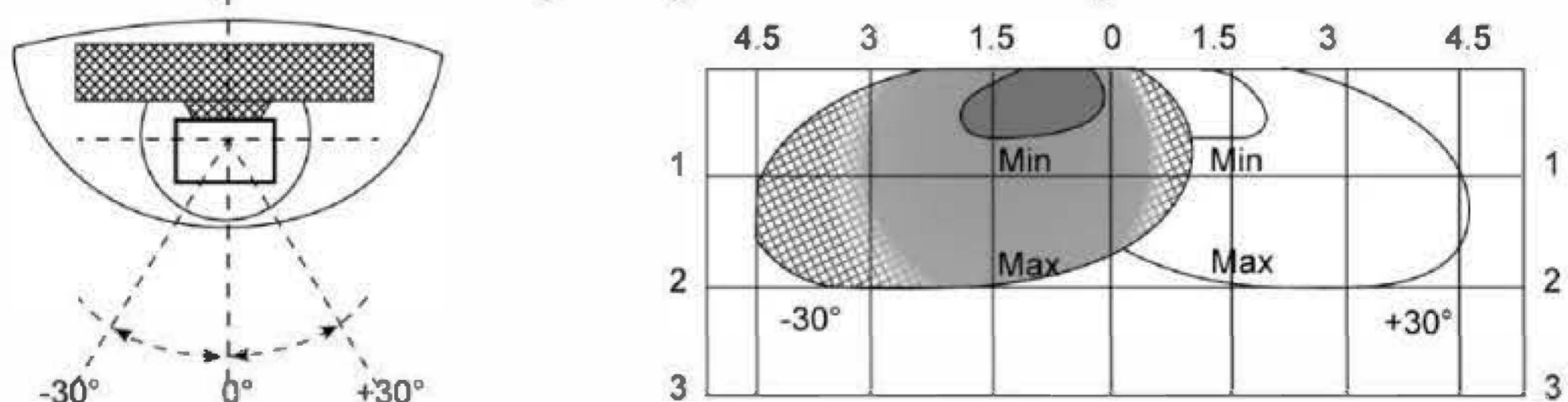


2. Adjustment of inductive field

The relationship between sensitivity and induction range



The relationship between left/right angle and induction range



The relationship between vertical angle and induction range

